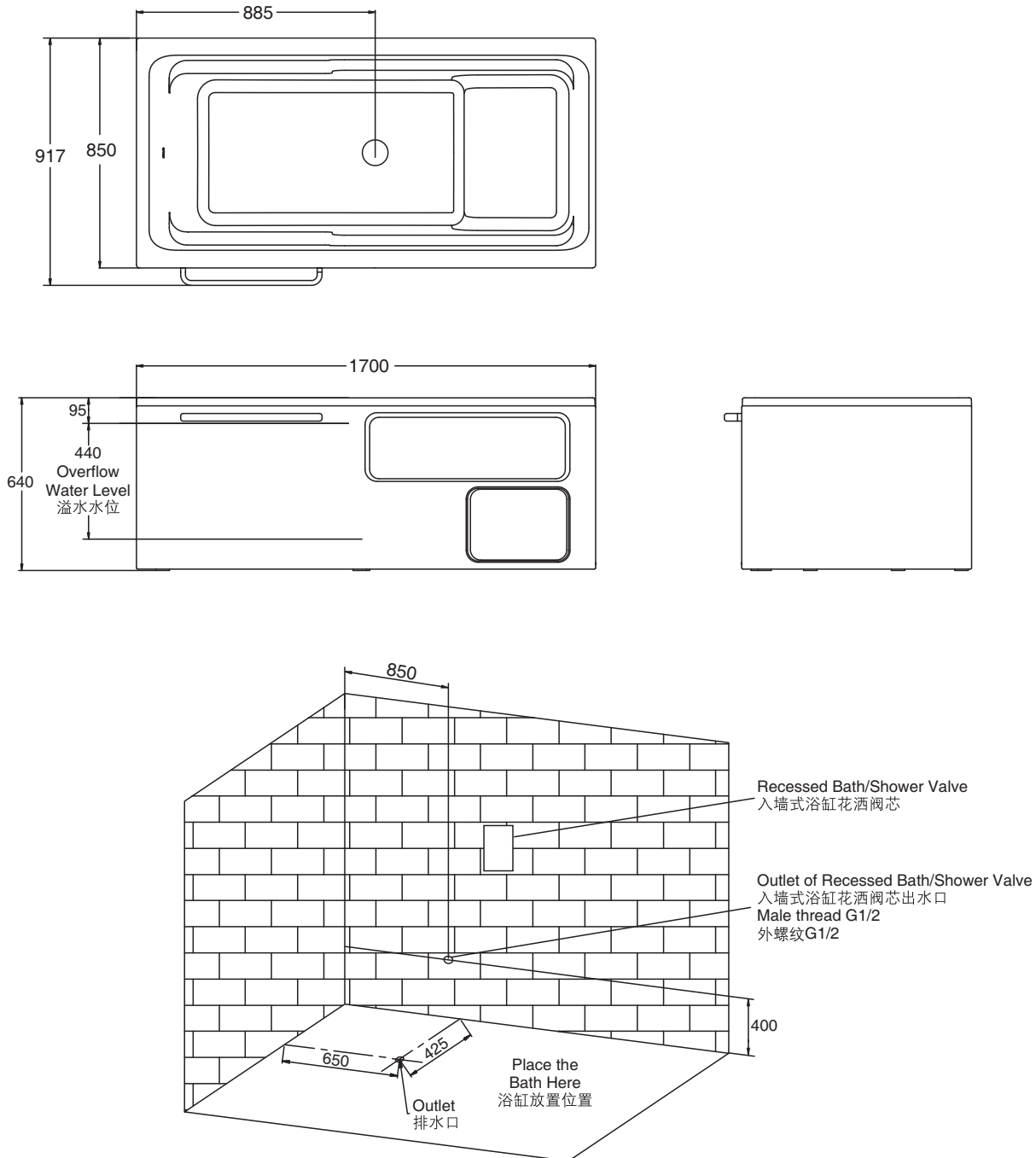


ALEUTIAN 2.0 1.7m INTEGRATED BATH OL 希尔维2.0 1.7米整体化浴缸 三合一落水 OL

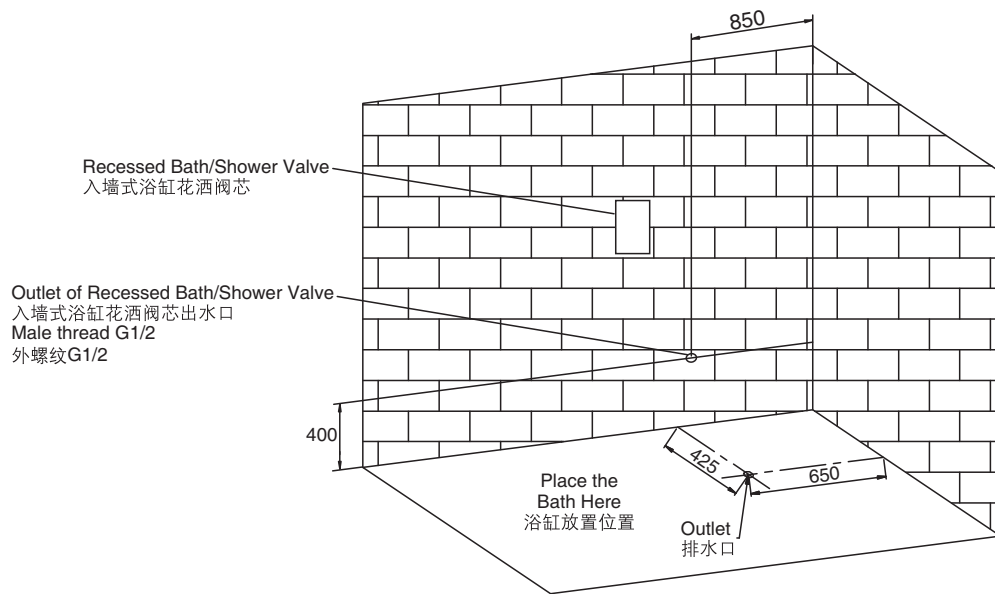
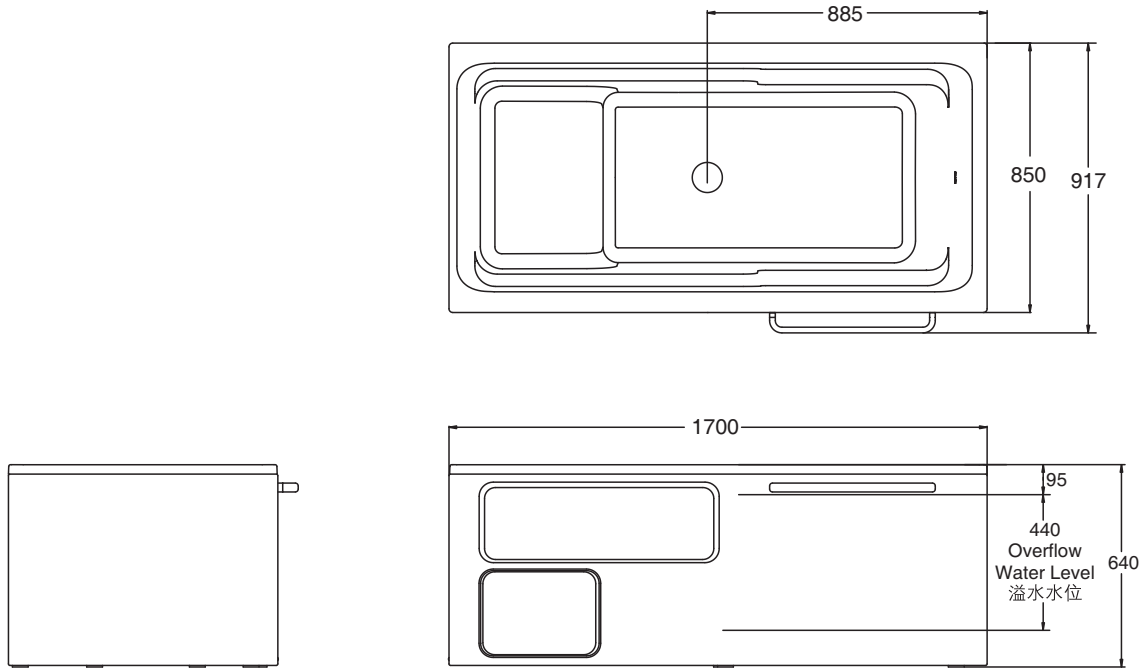
LH CORNER(左角位) K-24459T-WL
RH CORNER(右角位) K-24460T-WL

ROUGHING-IN 产品尺寸图 (Unit:mm) (单位: 毫米)



K-24459T-WL
Three-dimension installation roughing-in
左角位立体安装尺寸图

The actual outlet should be located in the area centering the shown outlet and extending with the radius 250mm.
排水口应位于以图示排水口为中心, 半径为250mm的范围内。



The actual outlet should be located in the area centering the shown outlet and extending with the radius 250mm.
排水口应位于以图示排水口为中心，半径为250mm的范围内。

K-24460T-WL
Three-dimension installation roughing-in
直角位立体安装尺寸图

PRODUCT INFORMATION 产品信息

Water Depth 深度 (To Overflow Hole Bottom 至溢水口底部)	440mm (毫米)
Capacity 水容量 (To Overflow Hole Bottom 至溢水口底部)	290L (升)
Basin Area 底部面积	987mm (毫米) × 576mm (毫米)
Top Area 顶部面积	1575mm (毫米) × 690mm (毫米)

Installation Notes 安装要点

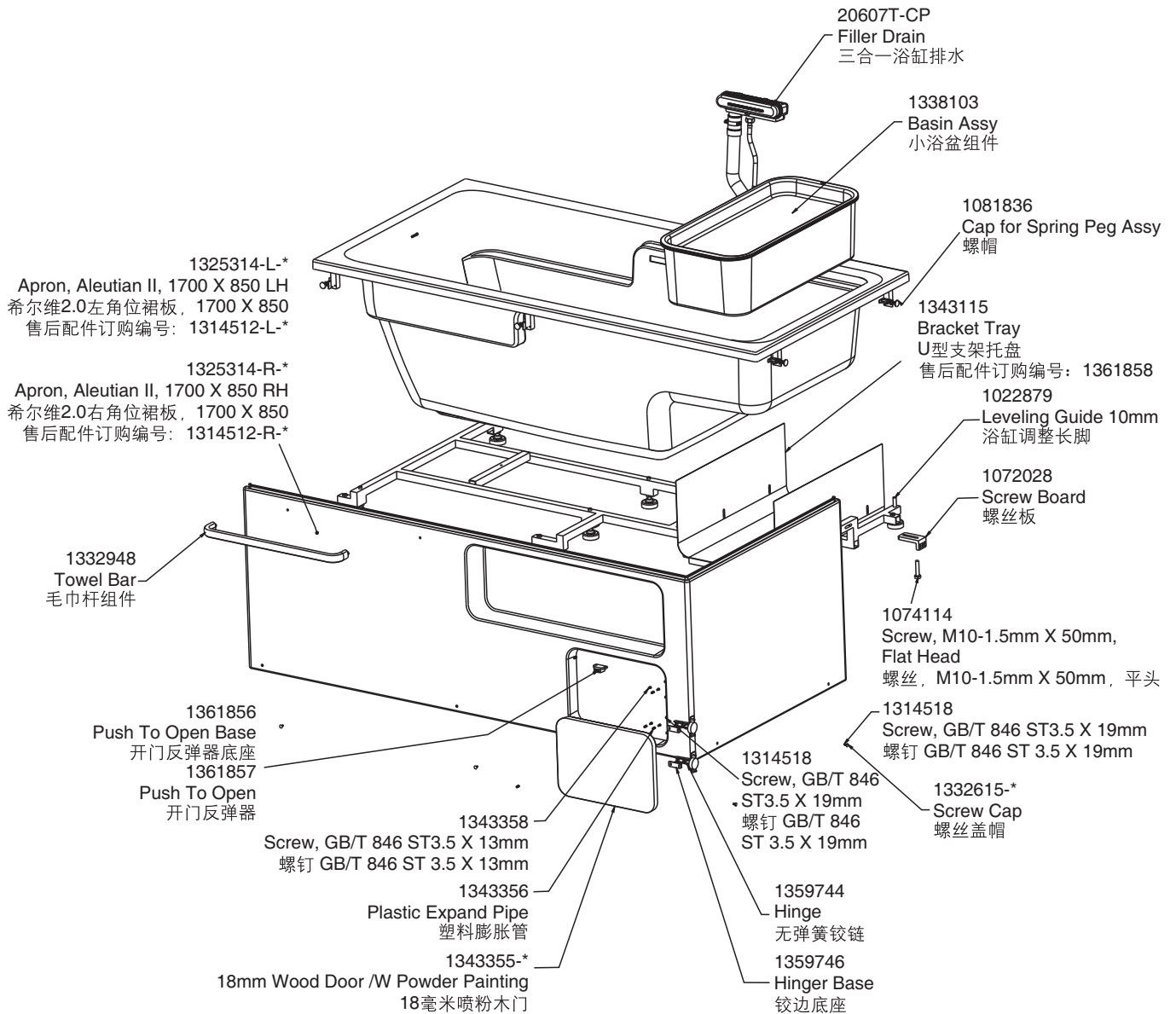
- Refer to installation instruction included with fixture before beginning installation.
- 开始安装前请参考浴缸包装中的安装说明书。
- Unless otherwise specified floor support under bath must provide for a minimum of 500kg loading (including the weight of bathtub, water and one user).
- 除非另有说明，否则浴缸下地面必须至少可以承载500kg的负载(包含浴缸、水及一名使用者的重量)。

Included Accessory Information 包含配件信息

Filler Drain 三合一浴缸排水.....K-20607T-CP
Basin Assy 小浴盆组件1338103

Optional Accessory Information 可选配件信息

Aleo Recessed Bath Shower Trim 利奥40mm入墙式浴缸花洒面.....K-72290T-4-*
40mm Recessed Bath/Shower Valve 40mm入墙式浴缸花洒阀芯.....K-882T-*
Renew Slidebar, 24" 氧沐60cm滑动花洒支架K-98342T-*
GF Better Handshower-Org 氧沐多功能手持花洒-流线型.....K-R99063T-*
Renew Wall Mount Connection 氧沐墙面连接器K-98351T-*
Exhale Shower Filter 随心雨淋浴净化器K-R72914T-*
Shower Hose, Grey 科勒花洒软管.....K-11628T-*
Renew Fixed Wall Mount Bracket 氧沐托架K-98347T-*



* Color code must be specified when ordering

* 订货时必须指明颜色代码